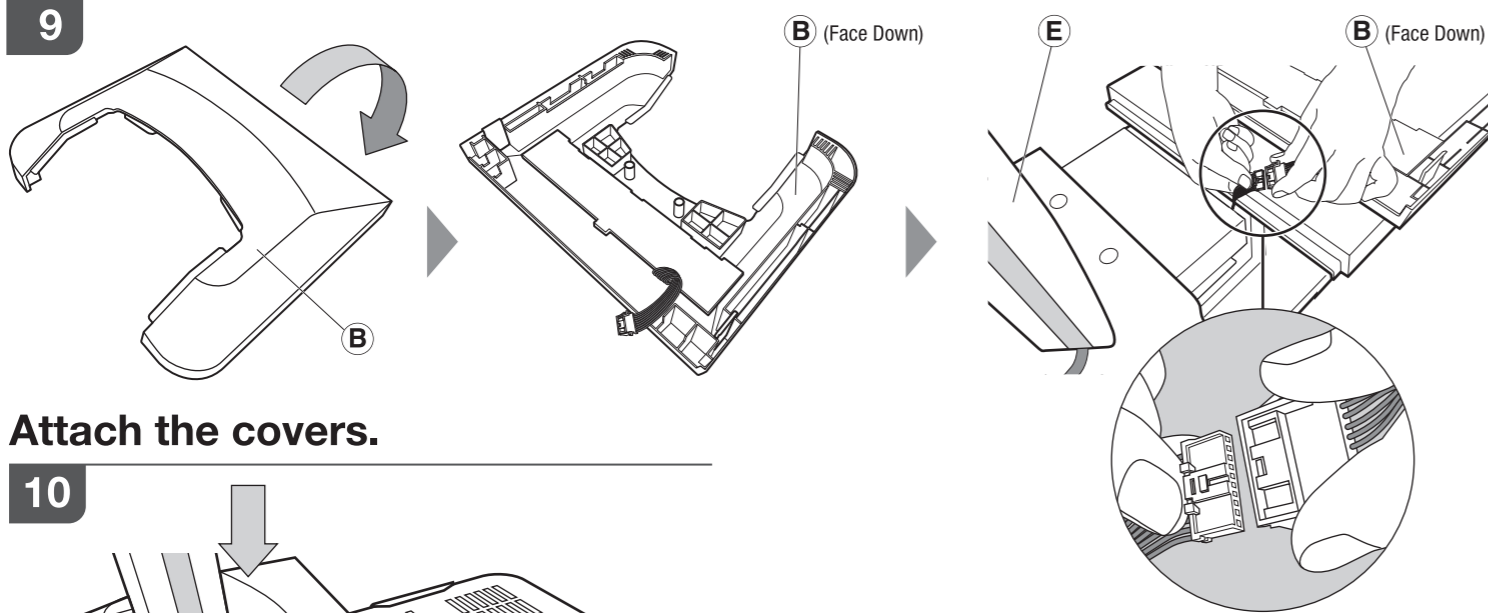
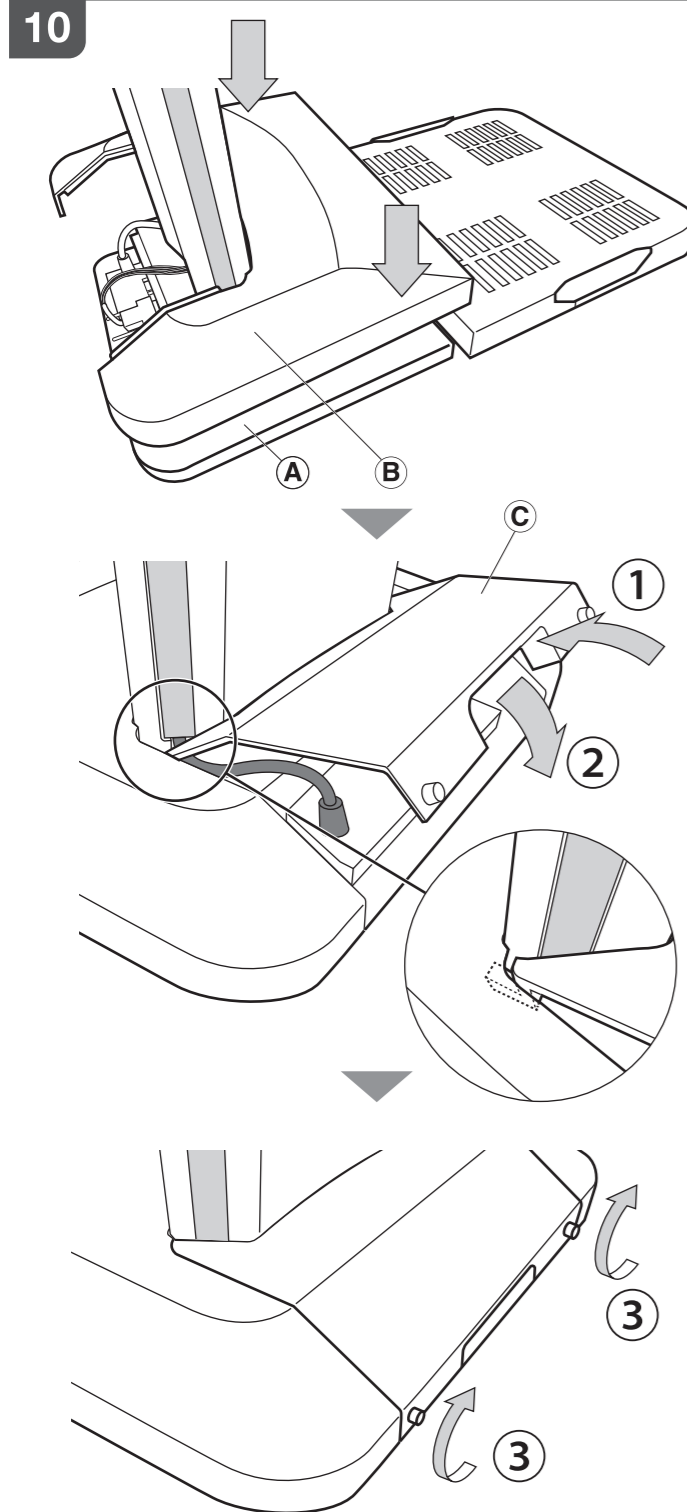


Connect the LED cable.

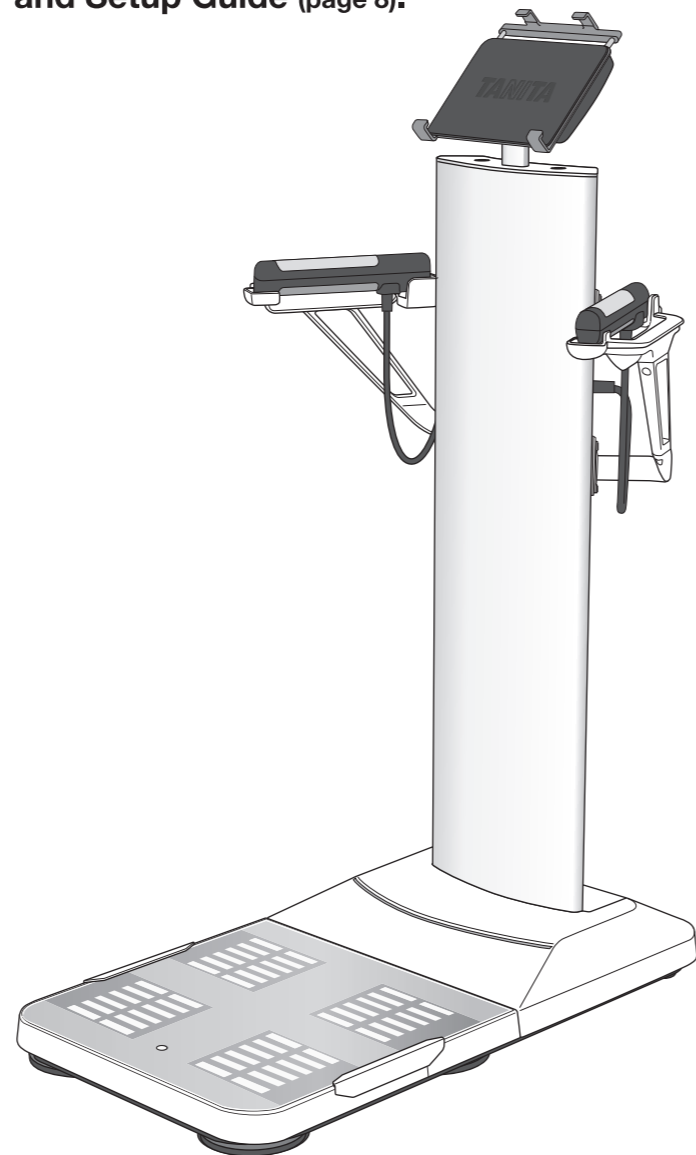


Attach the covers.



Finished

See the Safety Information and Setup Guide (page 8).



*If the cover does not attach, verify that steps 6–8 were completed correctly.

TANITA MC-800 Assembly Guide

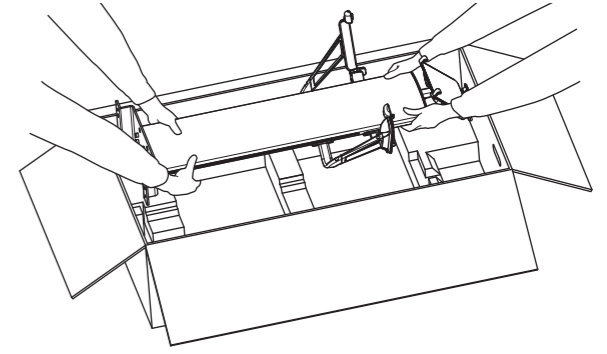
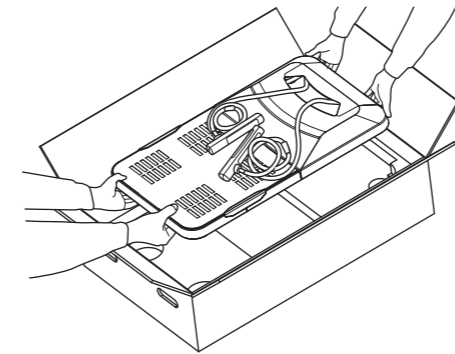
Caution

As the equipment is heavy, two people are required to unpack it.

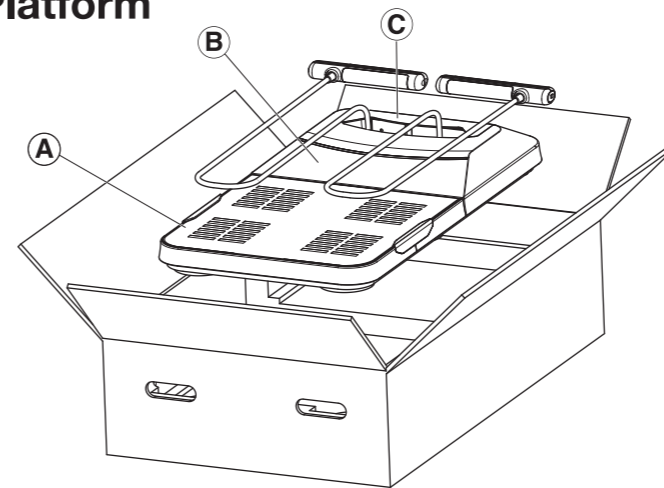
- To prevent damage to the equipment, hold it by the metal part of the base, and avoid holding the resin parts or the hand grip holder.
- When placing the equipment, lower it slowly and be careful not to pinch your fingers.



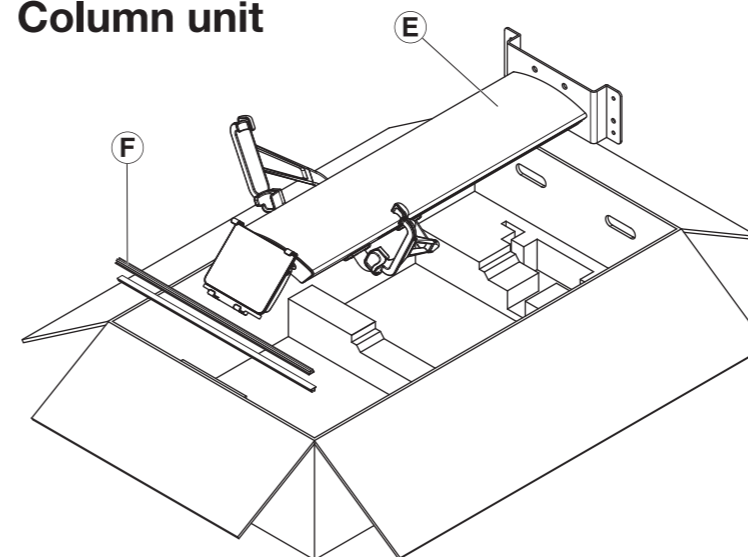
Required




Platform





Column unit





Supplied Items

- Safety Information and Setup Guide
 - Assembly Guide (this guide)
 - Attachments for the AC adapter (4)
- 
Type-A


Type-C


Type-O


Type-BF
- AC adapter
 - Wireless dongle
 - USB Type-C cable (for connecting the AC adapter to the equipment, 3.0 m)
 - USB Type-C cable (for supplying power to the tablet, 0.5 m)
 - D** Screws (4)
- 

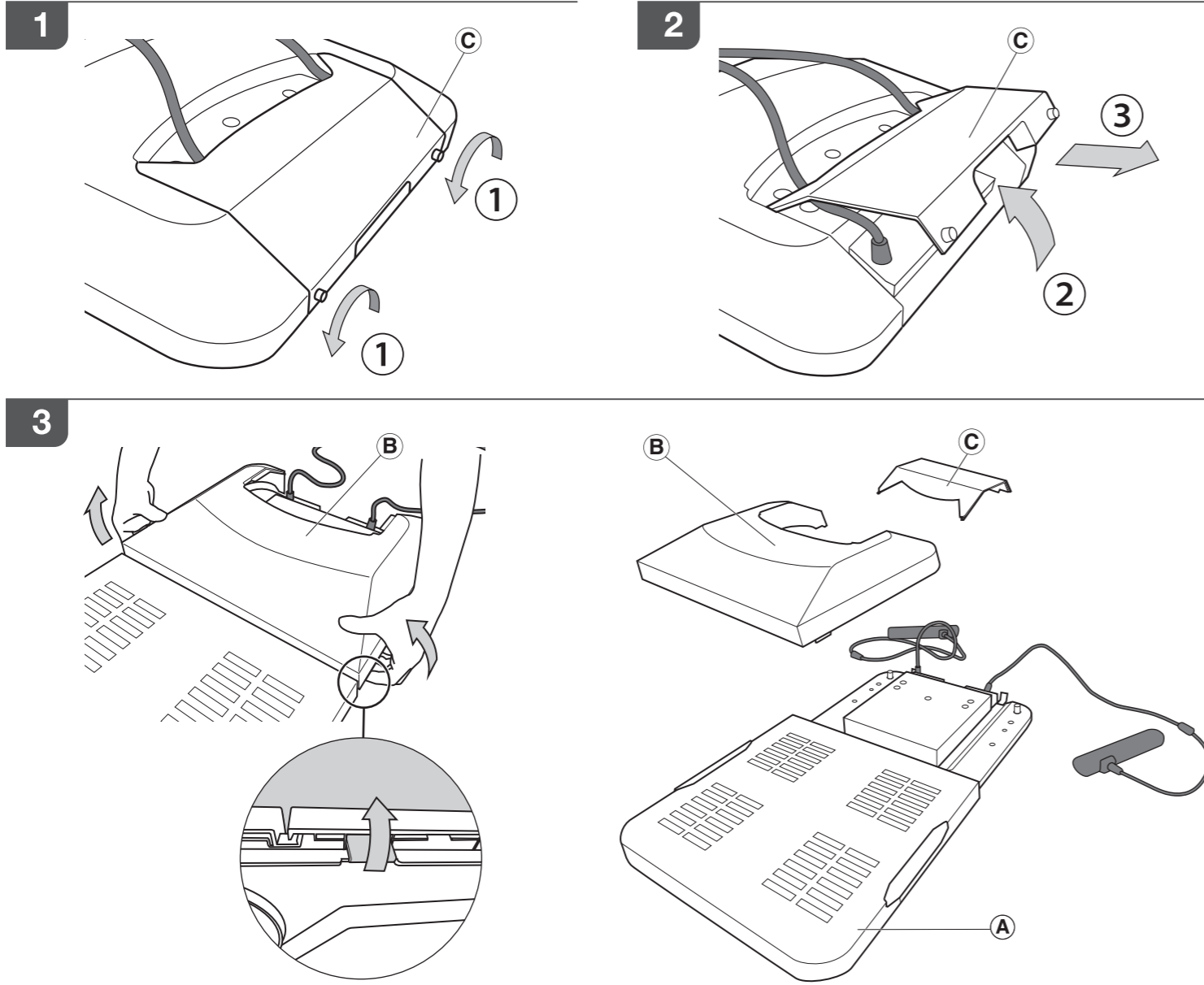
Assembly

⚠ Caution

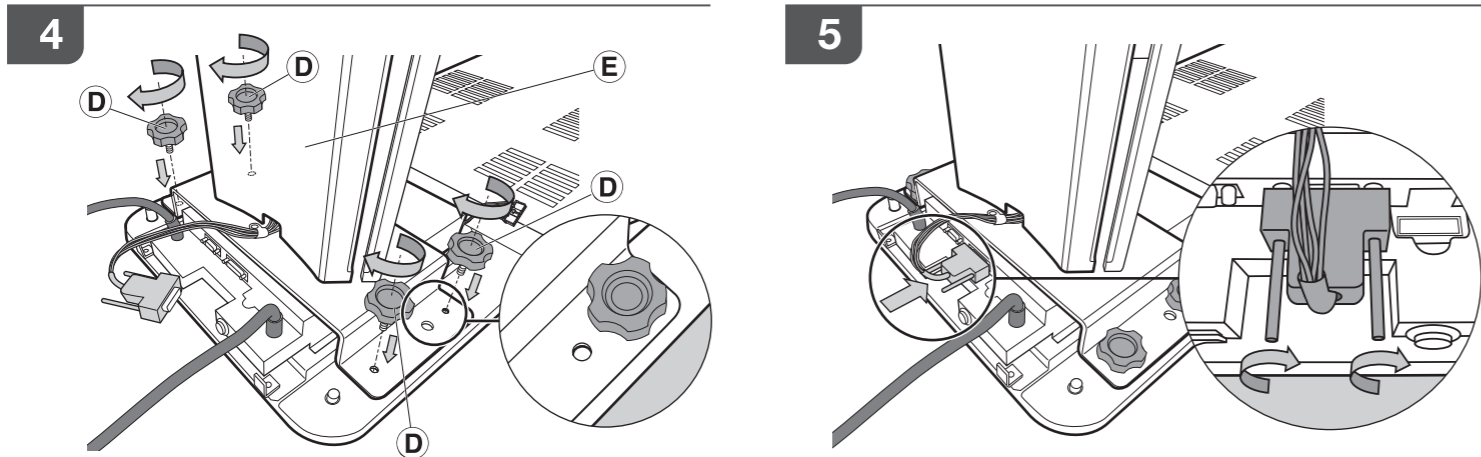


Be careful not to pinch any cables between any parts.

Remove the platform cover.



Install the column.



Install the hand grip and route the cables.

